

1

Roof measurement

Slope less than 2:12 pitch
 $E_p = A \times B$

Slope greater than 2:12 pitch
 $E_p = (C + H/2) \times A$

E_p - surface of the roof

2

Choice of downspout quantity

E_p up to 1184 ft²
of the roof surface

E_p up to 2368 ft²
of the roof surface

3

System components

corner

fascia hanger

gutter

end cap

joint connector

drop outlet

elbow 60°

downspout heavy duty mount

downspout

downspout connector*

tee connector

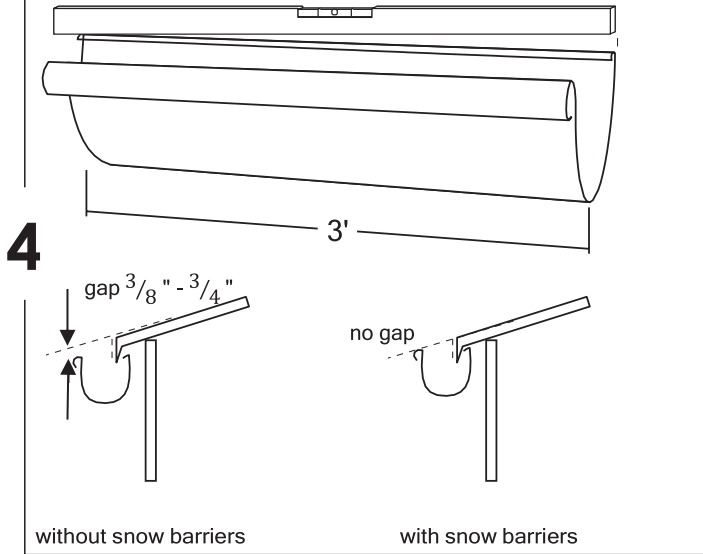
rain catcher

outflow elbow

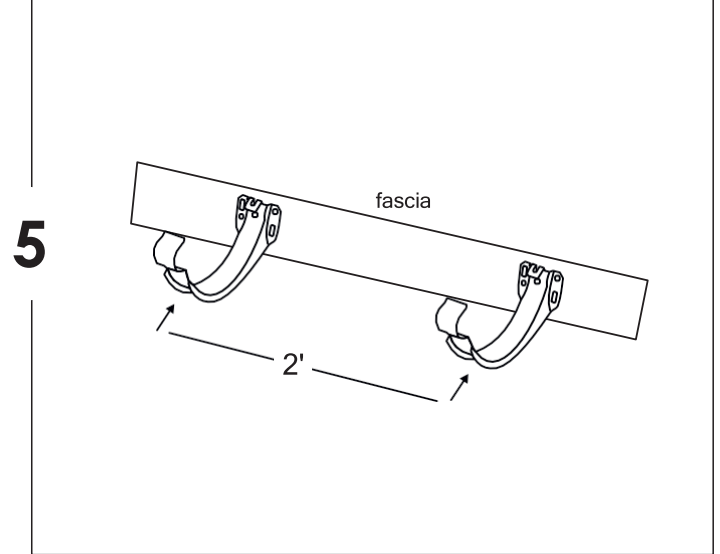
rain trap

*the use of a downspout connector for the connection of the drop outlet-downspout (without elbows) as in Figure 20

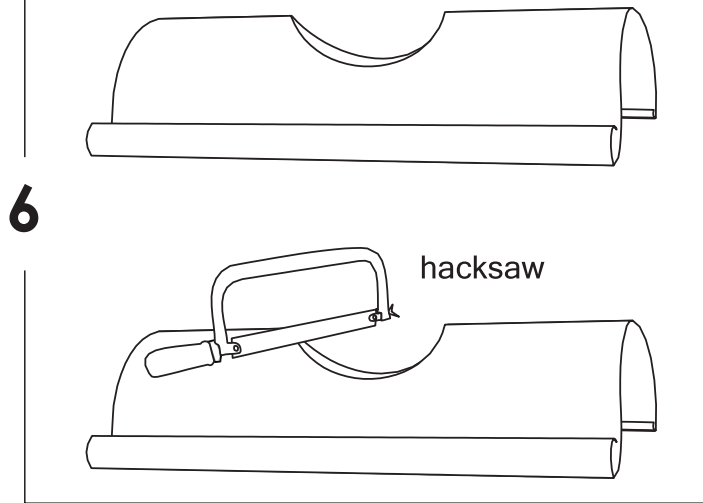
Gutter slope 0,1%-0,3%



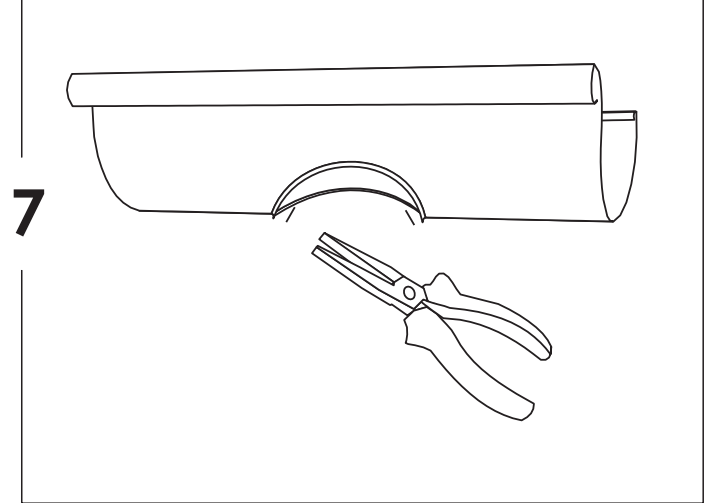
Spacing of the hangers



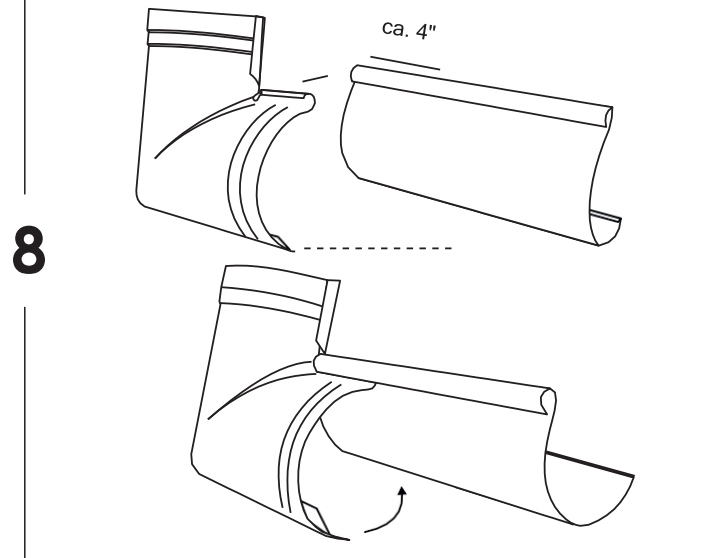
Cutting a hole in the gutter
with snips



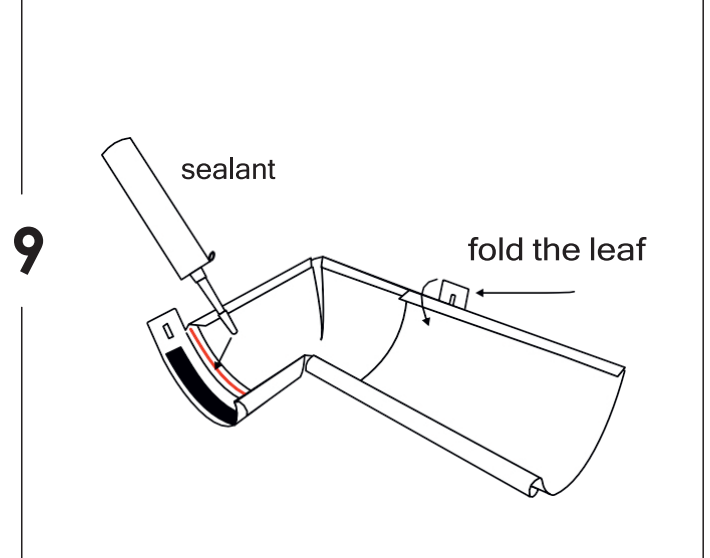
Making a drip at the opening



Installation of the 90° corner

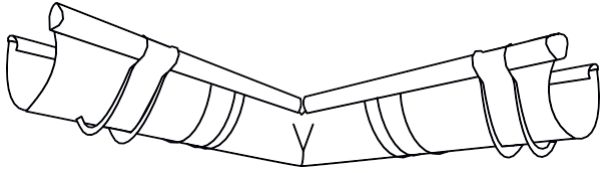


Installation of the 90° corner



Fitted corner 90°

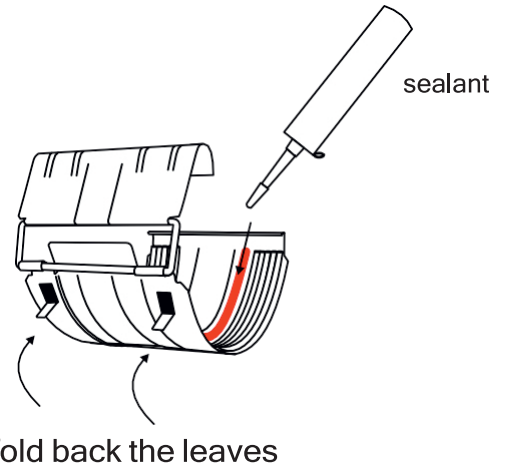
10



A correctly placed corner does not need to be supported by a hanger

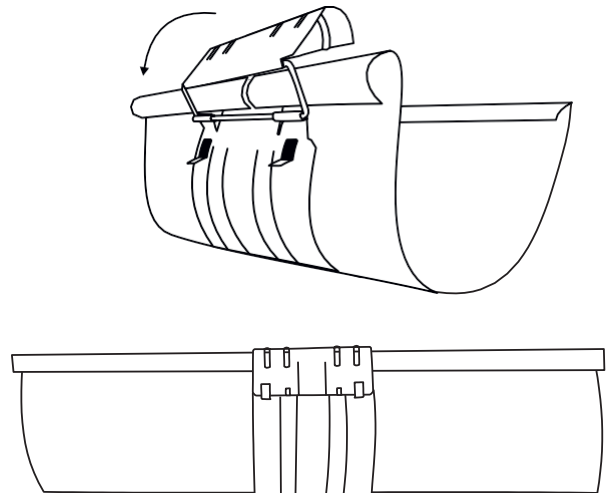
Preparation for installation of the connector with bracket

11



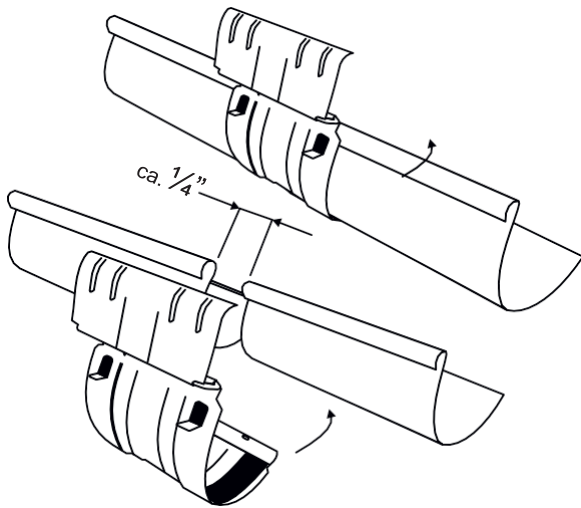
Installation of the connector with bracket

13



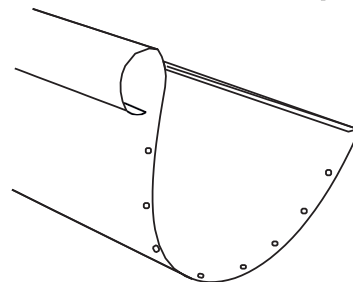
Installation of the connector with bracket

12

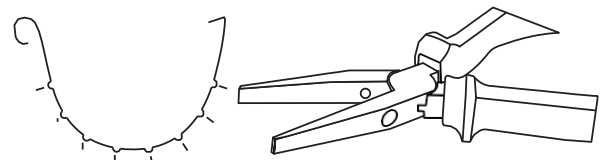


Installation of the gutter end $\varnothing 5\frac{3}{4}$ - min. 15 hems

15



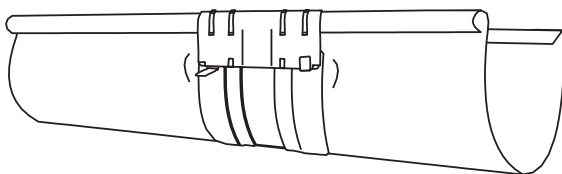
roofing pliers



The hems always on the outside

Installation of the connector with bracket

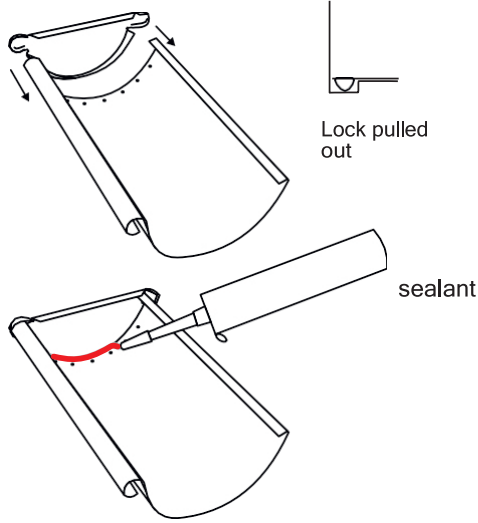
14



fold the leaves

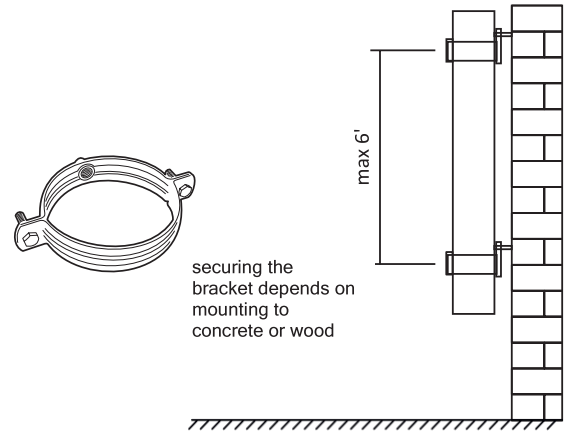
Assembling the end cap and sealing

16



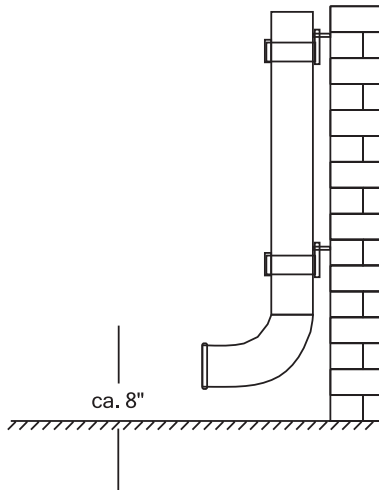
Installation of the brackets

17



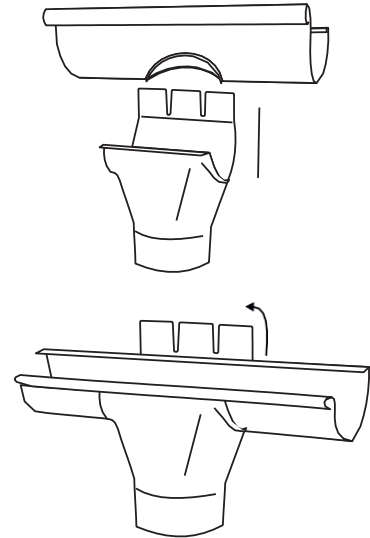
Installation of the outflow elbow

18



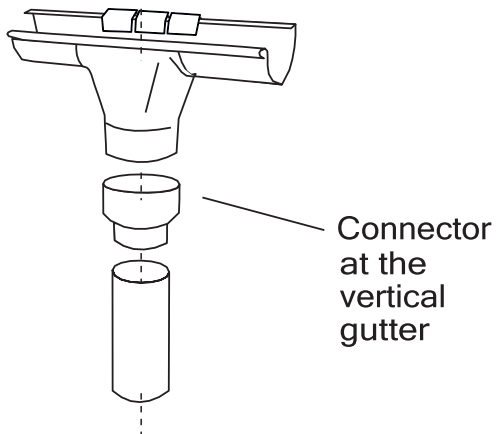
Installation of the drop outlet

19



The use of downspout connectors on the connection between the drop outlet and the downspout (without elbows)

20



JP Houser Choice LLC

143 Airport Rd. Unit 43

East Stroudsburg, PA 18301

T: 570-664-8558

office@jphouserchoice.com

houserchoice.com